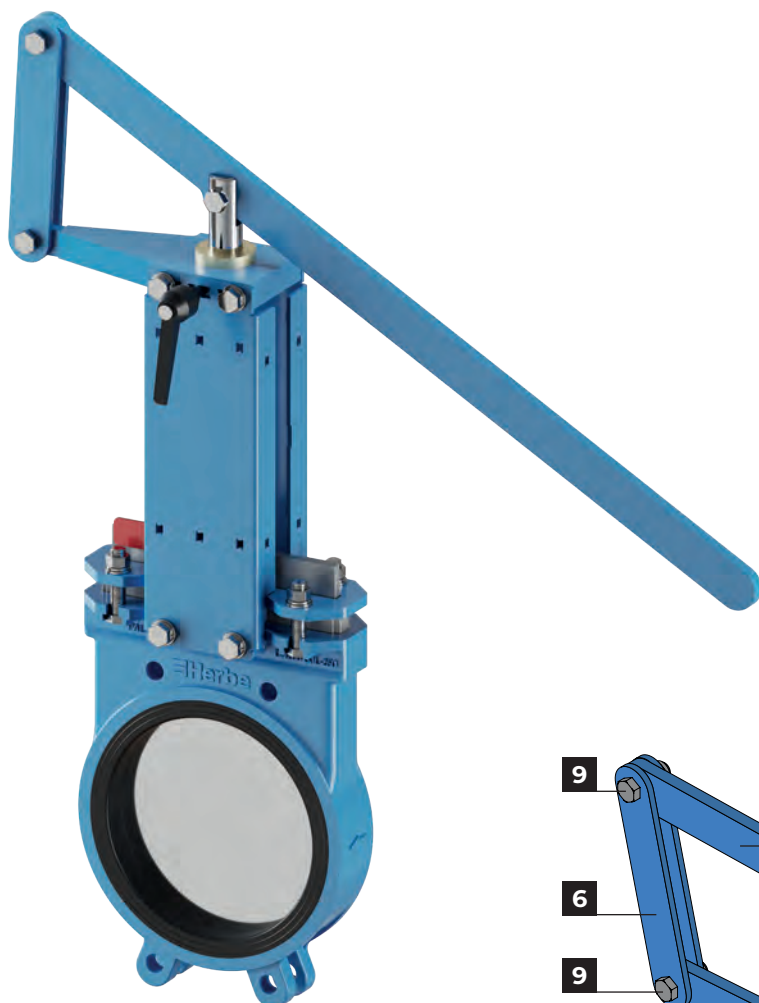


2.2.4. PAL-P

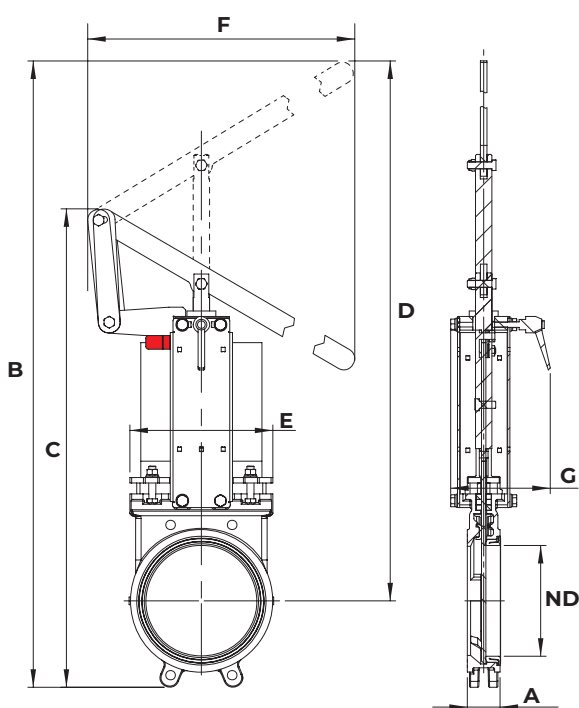
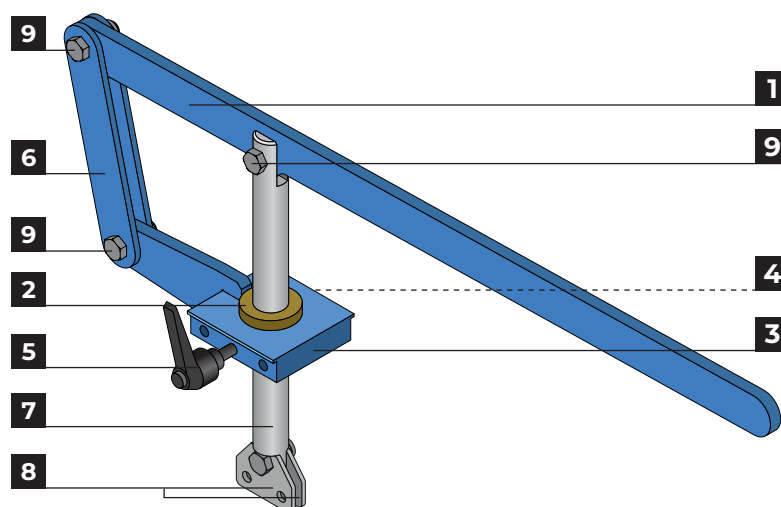


P. Lever

Made from DN50 to DN200. For other diameters, consult our Technical Department.

Description	Material	Unit
1 Lever	Steel	1
2 Bushing	Bronze	1
3 Support	Steel	1
4 Grub screw	Steel	1
5 Brake	Commercial	1
6 Lever	Steel	2
7 Shaft	Stainless steel	1
8 Fixing plate	Stainless Steel	2
9 Bolt assembly	Steel	1

*Other materials available on request.



DN	A	B	C	D	E	F	G	Weight	Ps
50	40	514	508	454	145	486	136	8	10
65	40	525	519	460	160	489	136	9	10
80	50	586	572	496	172	489	136	10	10
100	50	703	620	600	194	577	136	11	10
125	50	844	684	726	184	559	136	14	10
150	60	977	740	847	211	529	136	16	10
200	60	1,287	877	1,129	262	735	182	32	10

Other diameters available on request

Assembly between PN10/Class150 flanges
DN Nominal diameter

Dimensions in mm
Estimated weight in kg

Ps Nominal pressure in bar