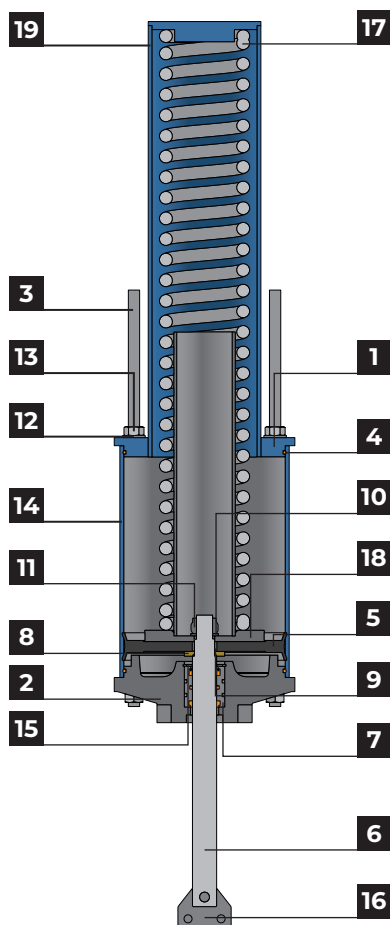
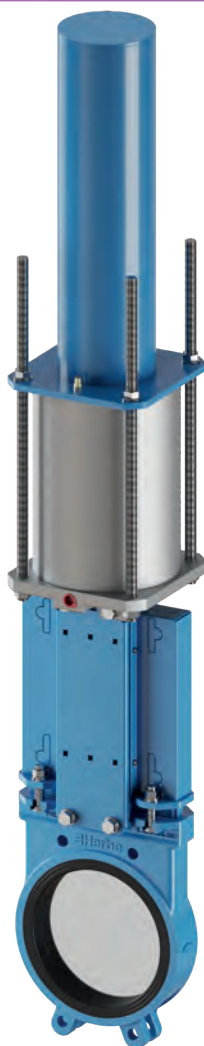


2.2.8. PAL-NSE

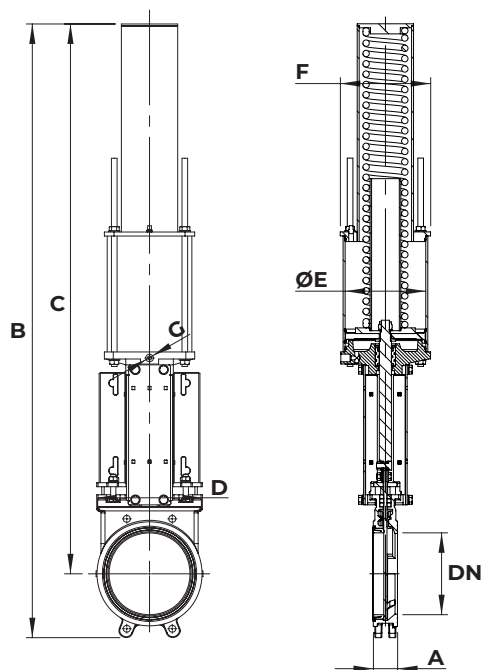


NSE. Single-acting pneumatic cylinder
Made from DN50 to DN300 with single-acting pneumatic cylinder.

Description	Material	Unit
1 Top cover	Steel	1
2 Lower cover	Aluminium	1
3 Tie rod	Stainless steel	4
4 O-ring	NBR	2
5 Piston	NBR	1
6 Shaft	Chrome steel	1
7 Bushing	POM	1
Collar	NBR	1
Interior O-ring	NBR	1
Exterior O-ring	NBR	1
Scraper	Polyurethane	1
8 Washer	Bichromated F-114	1
9 O-ring	NBR	1
10 Washer DIN125	Steel	1
11 Self-locking nut DIN985	Steel	1
12 Washer DIN125	Stainless steel	8
13 Nut DIN934	Stainless steel	8
14 Jacket	Aluminium	1
15 Safety ring DIN471	Steel	1
16 Fixing plate	Stainless steel	2
17 Spring	Steel	1
18 Spring guide	Steel	1
19 Silencer	Brass	1

Other materials available on request.
From DN350, double-acting pneumatic cylinder system plus accumulator tank.

The tank stores the necessary volume to perform a movement in event of breakdown.



DN	A	B	C	D	ØE	F	G	Weight	Ps
50	40	788	728	158	125	144	3/8" BSP	19	10
65	40	800	734	171	125	144	3/8" BSP	22	10
80	50	846	756	174	125	144	3/8" BSP	23	10
100	50	929	826	194	125	144	3/8" BSP	24	10
125	50	1,106	989	184	160	180	3/8" BSP	35	10
150	60	1,182	1,054	211	160	180	3/8" BSP	36	10
200	60	1,522	1,364	262	200	224	1/2" BSP	66	10
250	70	1,771	1,576	316	200	224	1/2" BSP	130	10
300	70	1,910	1,680	375	250	280	1/2" BSP	143	6

Assembly between PN10/Class150 flanges
DN Nominal diameter

Dimensions in mm
ØE Cylinder diameter

Estimated weight in kg
Ps Nominal pressure in bar