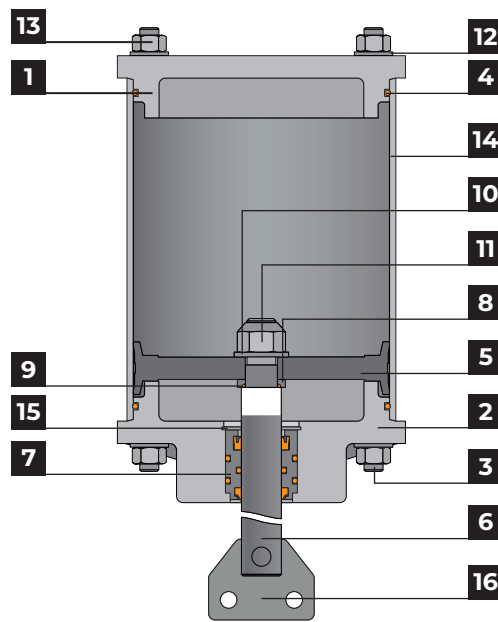


2.2.7. PAL-NDE

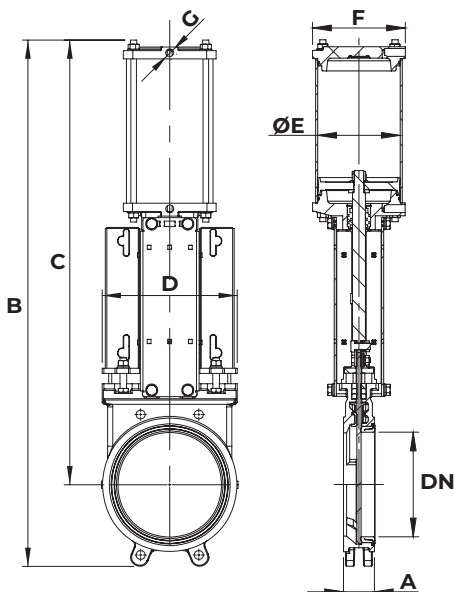
Double-acting pneumatic cylinder

Made from DN50 to DN600. For other diameters, consult our Technical Department.



Description	Material	Unit
1 Top cover	Steel	1
2 Lower cover	Aluminium	1
3 Tie rods	Stainless steel	4
4 O-ring	NBR	2
5 Piston	NBR	1
6 Shaft	Chrome steel	1
7 Bushing	POM	1
Collar	NBR	1
Interior O-ring	NBR	1
Exterior O-ring	NBR	1
Scraper	Polyurethane	1
8 Washer	Bichromated F-114	1
9 O-ring	NBR	1
10 Washer DIN125	Steel	1
11 Self-locking nut DIN985	Steel	1
12 Grower washer DIN127	Stainless steel	8
13 Nut DIN934	Steel	8
14 Jacket	Aluminium	1
15 Safety ring	Steel	1
16 Fixing plate	Stainless steel	2

Other materials available on request.



DN	A	B	C	D	ØE	F	G	Limit	Weight	Ps
50	40	540	480	158	100	118	3/8" BSP	67	8	10
65	40	551	486	171	100	118	3/8" BSP	75	10	10
80	50	606	528	174	100	118	3/8" BSP	97	11	10
100	50	680	578	194	100	118	3/8" BSP	117	14	10
125	50	767	650	186	125	144	3/8" BSP	141	17	10
150	60	860	731	211	125	144	3/8" BSP	171	20	10
200	60	1,021	863	262	160	180	3/8" BSP	216	32	10
250	70	1,195	1,000	316	160	180	3/8" BSP	270	41	10
300	70	1,399	1,169	375	200	224	1/2" BSP	322	61	6
350	96	1,510	1,300	428	200	224	1/2" BSP	370	80	6
400	100	1,745	1,492	507	250	280	1/2" BSP	421	135	6
450	100	1,930	1,641	579	250	280	1/2" BSP	469	162	5
500	110	2,160	1,814	618	250	280	1/2" BSP	520	214	4
600	110	2,591	2,219	743	300	328	3/4" BSP	617	325	3

Other diameters available on request

Assembly between PN10/Class150 flanges
 DN Nominal diameter
 Dimensions in mm
 ØE Cylinder diameter
 Weight in kg
 Ps Nominal pressure in bar