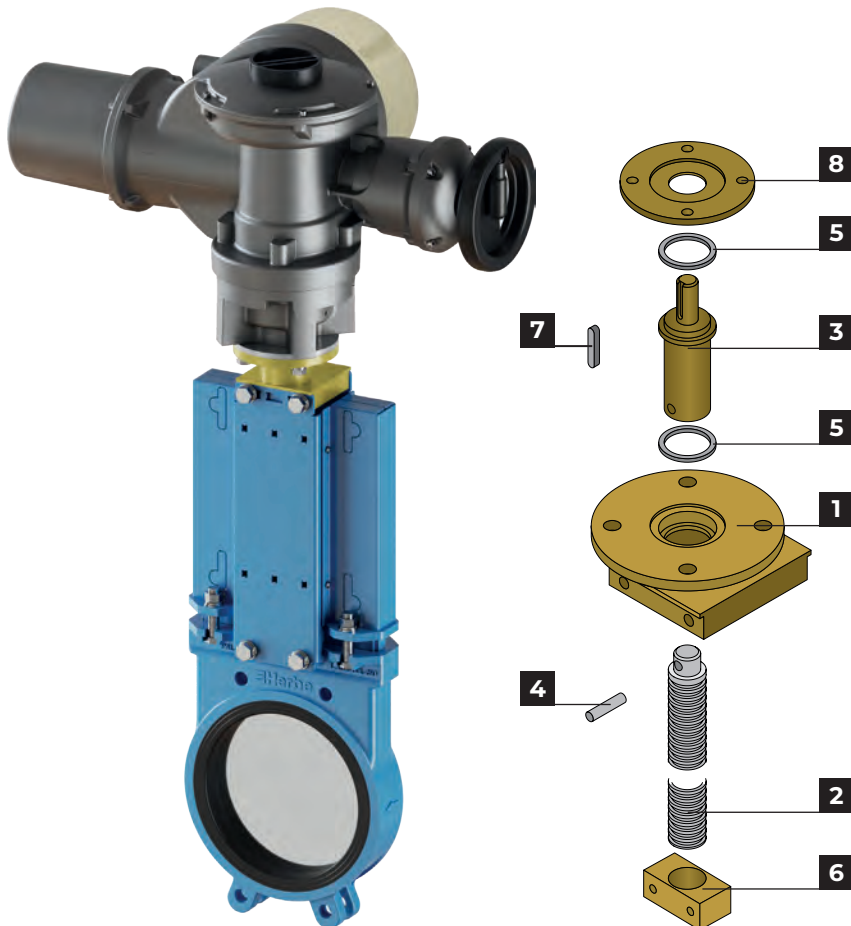


## 2.2.5. PAL-E

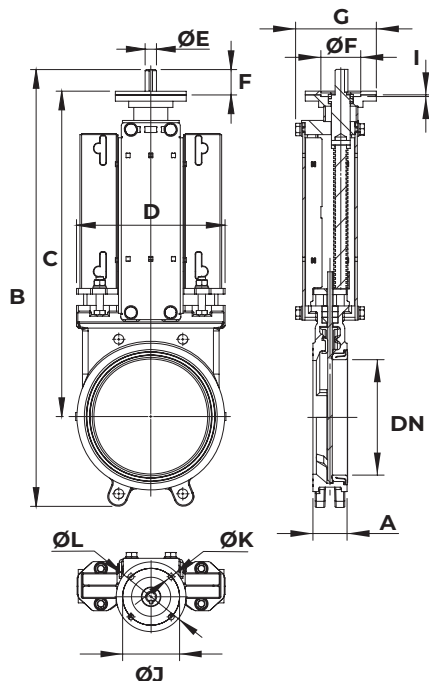


### Electric actuator

Made from DN50 to DN600. For other diameters, consult our Technical Department.

Description	Material	Unit
1 ISO flange	Bichromated steel	1
2 Stem	AISI-303	1
3 End-shaft bushing	Bichromated F-114	1
4 Elastic pin	Steel	1
5 Washer	POM	2
6 Nut	Aluminium bronze	1
7 Parallel key	Steel	1
8 Washer	Bichromated steel	1

Other materials available on request. \*Optional



DN	A	B	C	D	ØE	F	G	ØH	I	ØJ	ØK	ØL	Weight	Ps
50	40	437	332	145	20	45	125	70	3	102	10.5	125	24	10
65	40	449	339	160	20	45	125	70	3	102	10.5	125	25	10
80	50	493	360	172	20	45	125	70	3	102	10.5	125	26	10
100	50	543	395	194	20	45	127	70	3	102	10.5	125	27	10
125	50	607	444	184	20	45	127	70	3	102	10.5	125	30	10
150	60	663	489	211	20	45	127	70	3	102	10.5	125	32	10
200	60	777	574	262	20	45	142	70	3	102	10.5	125	42	10
250	70	900	660	316	20	45	142	70	3	102	10.5	125	55	10
300	70	1,036	760	375	20	45	149	70	3	102	10.5	125	72	6
350	96	1,099	844	427	20	45	149	70	3	102	10.5	125	99	6
400	100	1,292	1,038	507	30	65	185	100	4	140	16.5	175	136	6
450	100	1,429	1,075	579	30	65	200	100	4	140	16.5	175	166	5
500	110	1,631	1,227	618	30	65	208	100	4	140	16.5	175	245	4
600	110	1,919	1,482	743	30	65	245	100	4	140	16.5	175	362	3

Other diameters available on request

Assembly between PN10/Class150 flanges      Dimensions in mm      Ps Nominal pressure in bar  
DN Nominal diameter      Estimated weight in kg