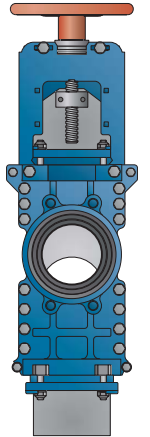
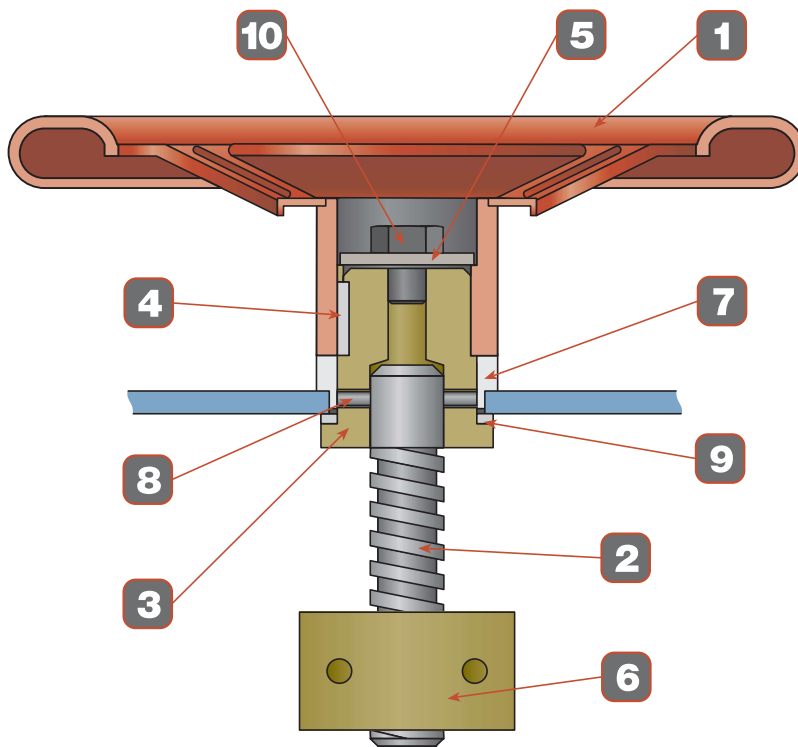


## 2.2.2. VF

### VF. Handwheel with non-rising stem

Manufactured from DN 50 up to DN 500, for any other sizes, please check with our Technical Department.



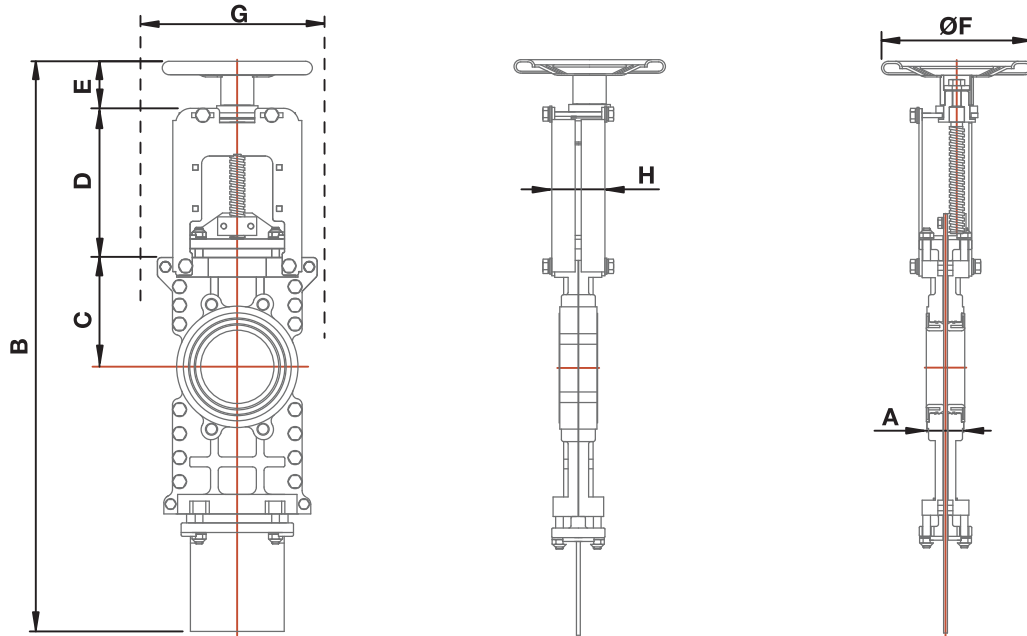
| DESCRIPTION        | MATERIAL | U. |
|--------------------|----------|----|
| <b>1</b> Handwheel | Steel    | 1  |
| <b>2</b> Stem      | AISI-303 | 1  |
| <b>3</b> Nut       | Brass    | 1  |
| <b>4</b> Cotter    | Steel    | 1  |
| <b>5</b> Washer    | Steel    | 1  |
| <b>6</b> Nut       | Brass    | 1  |
| <b>7</b> Bearing   | Nylon    | 1  |
| <b>8</b> Pin       | Steel    | 1  |
| <b>9</b> Washer    | Nylon    | 1  |
| <b>10</b> Screw    | Steel    | 1  |

\* Other materials available on request.

The manufacturer reserves the right to make changes without prior notification.

## 2.2.2. VF

Measurements.



| DN         | A   | B     | C   | D   | E   | ØF  | G   | H   | WEIGHT | PN |
|------------|-----|-------|-----|-----|-----|-----|-----|-----|--------|----|
| <b>50</b>  | 50  | 560   | 115 | 143 | 71  | 200 | 173 | 68  | 12     | 10 |
| <b>65</b>  | 50  | 623   | 110 | 170 | 64  | 200 | 209 | 68  | 13     | 10 |
| <b>80</b>  | 50  | 664   | 127 | 179 | 61  | 200 | 209 | 70  | 15     | 10 |
| <b>100</b> | 50  | 760   | 146 | 199 | 62  | 200 | 226 | 70  | 17     | 10 |
| <b>125</b> | 50  | 867   | 157 | 224 | 70  | 250 | 265 | 78  | 29     | 8  |
| <b>150</b> | 60  | 987   | 184 | 254 | 70  | 250 | 279 | 79  | 50     | 8  |
| <b>200</b> | 60  | 1,245 | 209 | 315 | 110 | 350 | 342 | 90  | 70     | 8  |
| <b>250</b> | 65  | 1,467 | 260 | 350 | 115 | 350 | 395 | 92  | 95     | 6  |
| <b>300</b> | 70  | 1,682 | 280 | 422 | 107 | 400 | 457 | 95  | 128    | 6  |
| <b>350</b> | 90  | 1,947 | 352 | 471 | 117 | 500 | 533 | 94  | 178    | 5  |
| <b>400</b> | 100 | 2,184 | 362 | 553 | 112 | 500 | 565 | 110 | 275    | 5  |

**Assembly between Flanges PN10 / DN** Nominal diameter / **ØF** Handwheel diameter  
**G** Maximum width / **Weight** in Kg. / **PN** Nominal pressure in bar. / **Measurements** in mm.

The manufacturer reserves the right to make changes without prior notification.